

**1096M-6 Adjustable Door Closer**

Part Number: 11096M00006

**⚠ CAUTION**

For operator safety, model no. 1096M-6 Door Closer should be mounted as low as possible on door.

This is a high tension device. Improper use can lead to injury. Tension adjustment maximum wind up 1-revolution (8 notches).

**FEATURES**

- Provides additional closing assistance for large or hard to close doors
- Torque adjusting feature allows incremental adjustment using a 5/8" wrench
- Torque arm pivots on a central shaft with nylon bushings to provide smooth quiet transmission of torque
- Torque limiting clutch prevents over torquing the torsion spring
- Product accommodates left or right hand door installation
- Door closer designed to work with cam rise or fixed pivot hinges
- Roller strike capture wireform retains power arm for safe operation
- Improved corrosion resistance with aluminum body construction

**MATERIALS**

- **Clutch:** Powder Metal
- **Indexing Pin:** Powder Metal
- **Mounting Plate:** Aluminum
- **Housing:** Die Cast Aluminum
- **Springs:** Music Wire, Raw
- **Bottom Housing:** Die Cast Aluminum
- **Tube:** Aluminum
- **Roller:** Nylon
- **Roller Guide:** Die Cast Aluminum
- **Hardware:** Stainless Steel

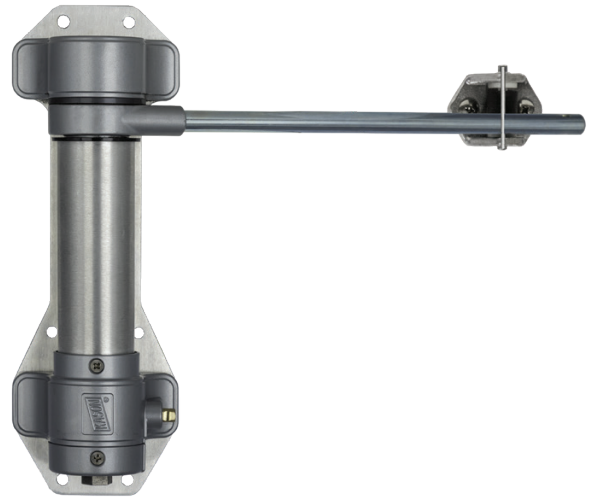
**DESIGN CRITERIA**

- Cycle tested to 250,000 cycles
- Roller guide accepts 1/4" (6 mm) fasteners
- Door closer accepts 1/4" (6 mm) fasteners
- **Temperature Range:** -40°F to 150°F (-40°C to 65°C)
- **Max Force by Arm:** 11 lb
- **Max Torque:** 132 in-lb

**RIGHT HAND INSTALLATION**



**LEFT HAND INSTALLATION**



Part No.	Description	Wgt./Carton
11096M00006	Adjustable Door Closer	4.12 lb (1.86 kg)



1096M-6 Adjustable Door Closer

Part Number: 11096M00006

